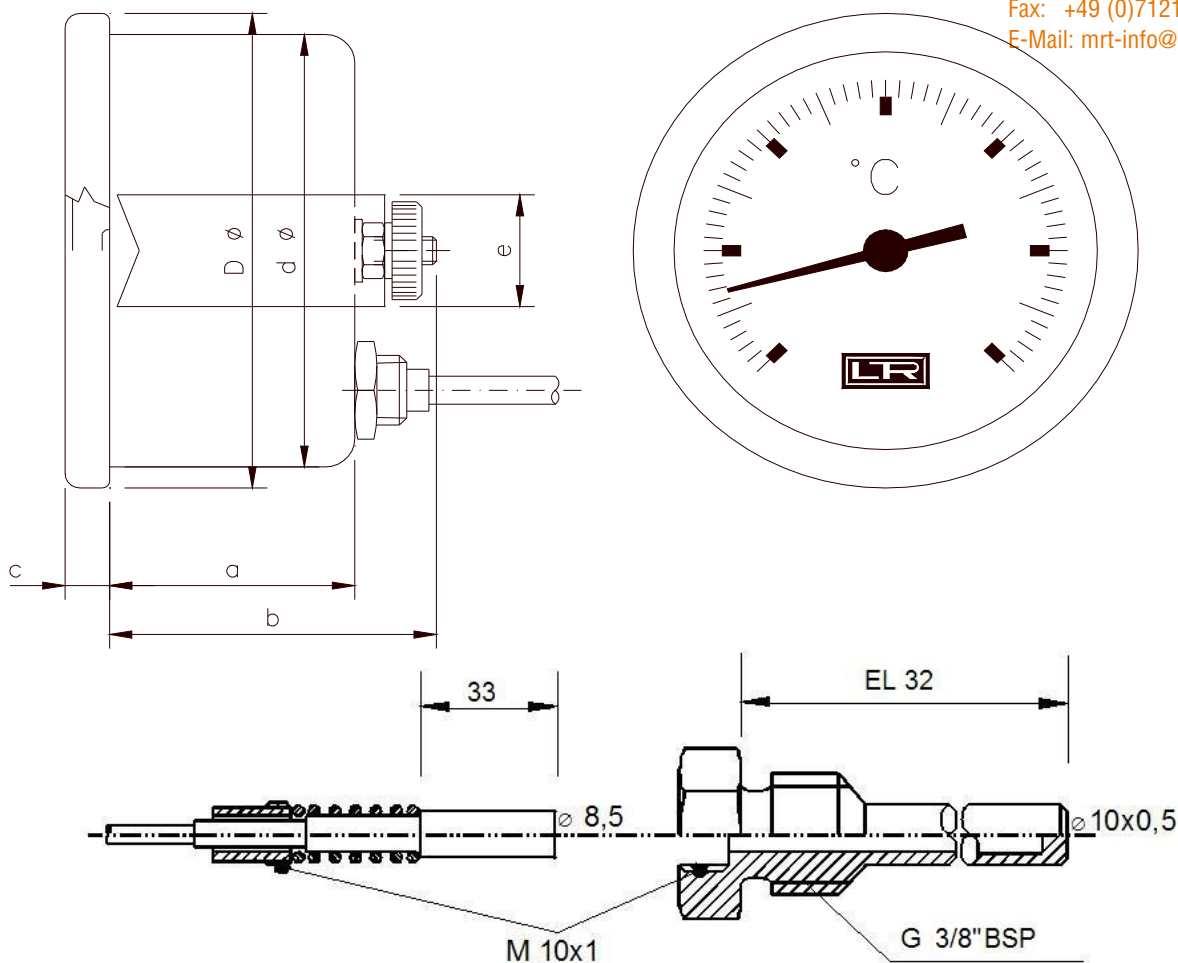


## Data sheet 213630012018B430C624



### INOX-Thermometer with u-clamp fixing

Type	a	b	c	d	D	e
1063 KB/V	33	48	6	63	68	16

case:	NIROSTA
mounting:	panel mounting with u-clamp
window:	glass, clear, temperature resistant -40...+65°C
u-clamp:	steel sheet corrosion protected
measuring system:	double bourdon spring with bi metal compensation
dial:	white with black prints, with "LR"-logo
scale length:	approx. 270 <sup>°</sup>
scale graduation:	2°
range:	0 / 120°C
accuracy:	class 2
pointer:	black
capillary connection:	back
capillary:	Cu - double copper braided, 3.000 mm
bulb:	type 7c, EL 33 x 8.5 mm, brass, with spring + nut M10x1
pocket:	type 8, EL 32, G 3/8" BSP, brass
specials:	- double coloured scale °C (black) +°F (red) - glycerine filling