

bourdon tube pressure gauge all stainless steel construction DS 2.5" (63mm)



PED 2014/68/UE

These instruments are manufactured in conformity with the construction and safety S2 specifications according to standard EN 837-1. They are designed for use in chemical and petrochemical processing industries as well as in conventional power plants and to measure gaseous or liquid media which do not have high viscosity or do not crystallize. They can resist to the most severe operating conditions created by the environment and the process medium. The liquid-filled version is recommended for use on power units, pumps, hydro-cleaning machines, presses, engine compressors, turbines, diesel engines, chemical, petrochemical and refrigerating plants and on machines and equipment where pulsating pressures or mechanical vibrations are apparent.

1.18.1 - Standard Model

Design: EN 837-1.
Safety designation: S1 as per EN 837-1.
Ranges: from 0...15 to 0...15000 psi; (from 0...1 to 0...1000 bar), (or other equivalent units).
Accuracy class: 1.6 as per EN 837-1.
Ambient temperature: -40...+149 °F (-40...+65 °C).
Process fluid temperature: max +212°F (+100 °C).
Thermal drift: ±0,4 %/10 °C of range (starting from 68°F - 20°C).
Working pressure:
 75% of FSV for static pressure;
 66% of FSV for pulsating pressure.
Over pressure limit (15 min max):
 25% of FSV for pressure ranges ≤ 1500 psi (100 bar);
 15% of FSV for pressure ranges 1500...9000 psi (100...600 bar);
 10% of FSV for pressure ranges over 9000 psi (600 bar).
Protection degree: IP 55 as per EN 60529/IEC 529.
Socket material: AISI 316L st.st.
Bourdon tube: AISI 316L st.st.
Case: stainless steel.
Ring: stainless steel, bayonet lock.
Window: polycarbonate.
Movement: stainless steel.
Dial: plastic white with black markings.
Pointer: adjustable, aluminium, black.

1.18.2- Fillable Model

Safety designation: S2 as per EN 837-1.
Protection degree: IP 67 as per EN 60529/IEC 529.
Ring: stainless steel, crimped.
Pointer: not adjustable, aluminium, black.
Other features: as Standard Model.

1.18.3 - Filled Model

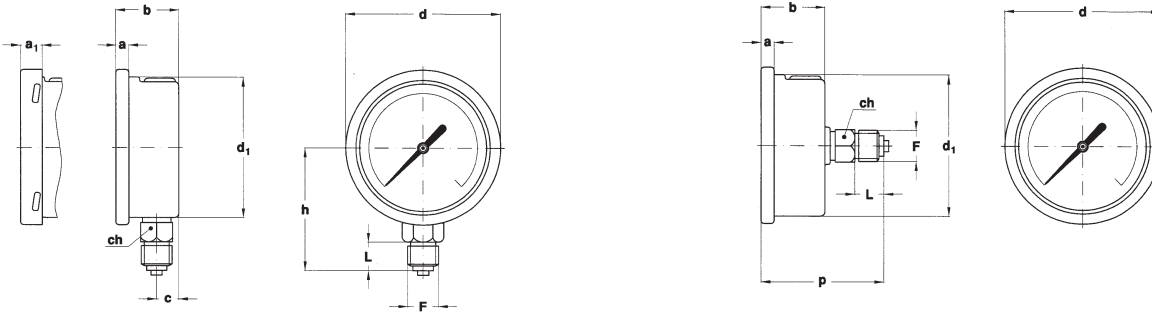
Safety designation: S2 as per EN 837-1.
Damping liquid: glycerine 98% or silicon oil.
Ambient temperature:
 +32...+149 °F (0...+65 °C) with glycerine filling;
 -4...+149 °F (-20...+65 °C) with glycerine filling mixture;
 -40...+149 °F (-40...+65 °C) with silicon oil filling.
Process fluid temperature: max +149°F (+65 °C).
Protection degree: IP 67 as per EN 60529/IEC 529.
Ring: stainless steel, crimped.
Pointer: not adjustable, aluminium, black.
Other features: as Standard Model.

bourdon tube pressure gauge
all stainless steel construction, DS 2.5" (63mm)

MGS18

RC9 - 01/17

IN ORDER TO IMPROVE THEIR PRODUCTION, MESSRS. NUOVA FIMA RESERVE THE RIGHT TO THEMSELVES TO MAKE ALL THE MODIFICATIONS THAT THEY DEEM INDISPENSABLE AT ANY TIME. UPDATED DATA SHEETS ARE AVAILABLE ON SITE: www.nuovafima.com



A - LOWER CONNECTION

D - BACK CONNECTION

Mounting	F	a	a ₁	b	c	d	d ₁	h	p	L	ch	Weight (1)
Lower	21M - G 1/4 A	0.22"	0.37"	1.10"	0.39"	2.67"	2.46"	2.13" - 2.17"		0.51"	0.55"	0.28 lbs
	23M - 1/4-18 NPT	(5,6)	(9,5)	(28)	(10)	(68)	(62,6)	(54,3 - 55,3)		(13)	(14)	(0,13 kg)
Back	21M - G 1/4 A	0.22"	0.37"	1.10"		2.67"	2.46"		2.11" - 2.15"	0.51"	0.55"	0.30 lbs
	23M - 1/4-18 NPT	(5,6)	(9,5)	(28)		(68)	(62,6)		(53,8 - 54,8)	(13)	(14)	(0,14 kg)

dimensions : inches (mm)

(1) add 0.15 lbs (0,07 kg) when filled

OPTIONS

Model	standard	fillable	filled
B - "U"-clamp, for back connection pressure gauges		◆	◆
C - Back flange, for lower connection pressure gauges	◆	◆	◆
E - Front flange, for back connection pressure gauges		◆	◆
P01 - Suitable for filling with silicone		◆	
S10 - Silicone filling			◆
G11 - Glycerine filling mixture			◆
T37 - Glass tempered window	(1) ◆	◆	◆
T32 - Safety glass window	◆		

(1) Safety designation: S1 as per EN 837-1.

"HOW TO ORDER" SEQUENCE

Section / Model / Case / Mounting / Diameter / Range / Process connection / Options
1 18 1 A C 21M B, C, E
2 D 23M P01...T32
3

