

“solid-front” safety pressure gauges
all stainless steel construction
for high pressures,
DS 4”, 6” (100-150mm)



PED 2014/68/UE

1.22.2 - Fluid fillable model

Reference standard: EN837-1, DIN 16001.
Safety code: S3 according to EN 837-1.
Ranges: 0...2500, 0...3000, 0...4000, 0...5000 ⁽¹⁾ e 0...6000 ⁽¹⁾ bar;
 0...30000, 0...40000, 0...60000 e 0...80000 ⁽¹⁾ psi/bar.
Accuracy class: 1 according to DIN 16001 (0...75% of S.F.V.).
Ambient temperature: -40...+65°C.
Process fluid temperature: -40...+150 °C.
Thermal drift: ±0,4 %/10 °C of the scale range (from 20°C).
Working pressure:
 75% of S.F.V. for static pressures;
 66% of S.F.V. for pulsating pressures.
Overpressure limit: max 100% of S.F.V.
Protection degree: IP 67 as per IEC 529.
Socket material: AISI 316L.
Bourdon tube: duplex st.st. seamless tube.
Case and baffle wall: stainless steel.
Ring: stainless steel, bayonet lock.

(1) available only as DN150

Blow out disk: stainless steel.
Window: safety glass.
Movement: stainless steel with internal limit stops.
Dial: aluminium, white with black markings.
Pointer: adjustable, aluminium, black.

1.22.3 - Filled model

Damping liquid: glycerine 98%, silicon oil.
Ambient temperature:
 +32...+149 °F (0...+65 °C) with glycerine filling;
 -20...+149 °F (-20...+65 °C) with silicon oil filling.
Process fluid temperature: max +149°F (+65 °C).
Protection degree: IP 67 as per IEC 529.
Pointer: not adjustable, aluminium, black.
Other features: as Standard Model.

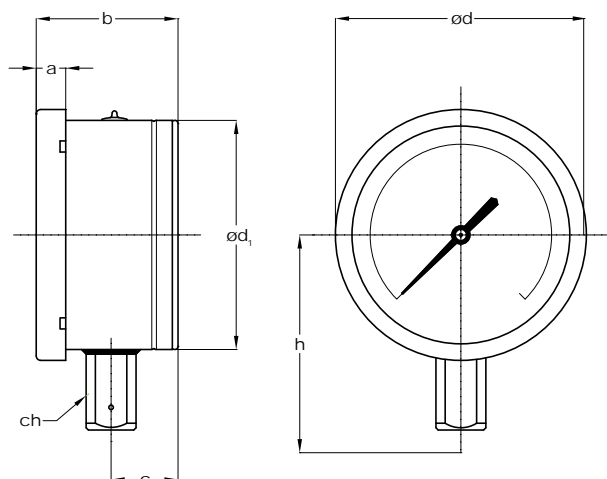
OPTIONS

Model	standard	fillable	filled
C - Back flange, for lower connection pressure gauges		◆	◆
F - 3-holes front flange		◆	◆
C40 - AISI 316L st. st. case, blow out disk and ring		◆	◆
P01 - Suitable for filling with silicon oil		◆	
S10 - Silicone filling			◆
S17 - Silicone oil filling - T.a. -40...+65°C			◆
S1F - Restrictor for female connection, for ranges up to 6000 bar			◆
S1J - Restrictor for male connection, for ranges up to 4000 bar (suitable for water)			◆
S1M - Restrictor for male connection, for ranges up to 4000 bar			◆

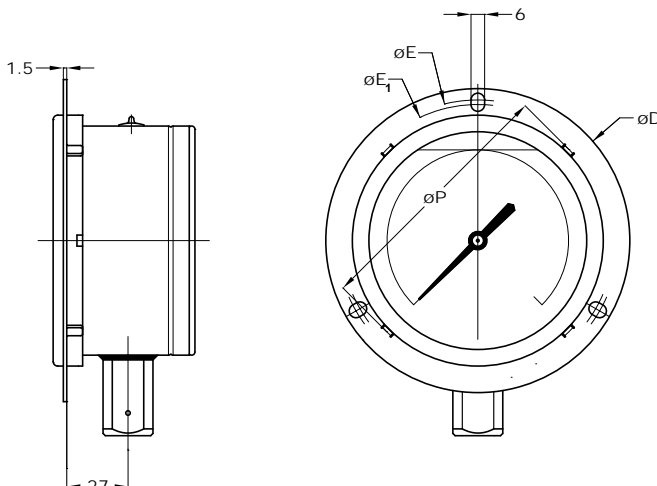
"solid-front" safety pressure gauges

all stainless steel construction, for high pressures DS 4", 6" (100-150mm)

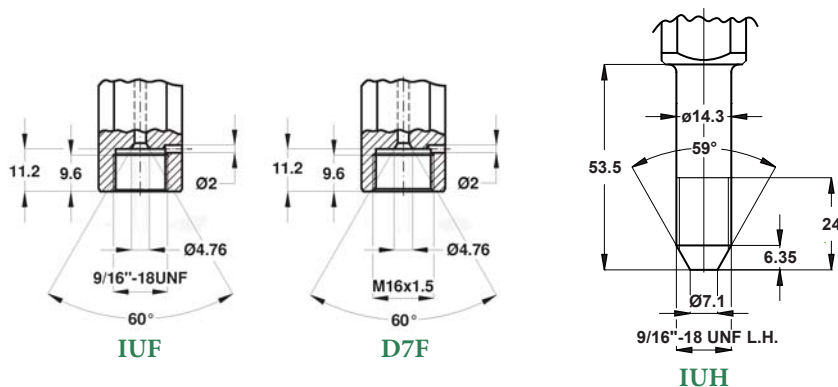
MGS22



A - LOWER CONNECTION



F - LOWER CONNECTION with FRONT FLANGE



DS	F	a	b	c	ø d	ø d ₁	h	D	E	E ₁	P	ch	Weight (2)
E 4" (100)	IUF - 9/16-18 UNF-2B (1)	13	62	29,5	110,5	101	86	132	124	120	113,5	22 (4)	0,75 kg
	D7F - M16 x 1,5						120	-	-	-			
G 6" (150)	IUH - 9/16-18 UNF-L.H. (3)	15	64	30	161	150,5	110	190	178	172	164	22 (4)	1,2 kg
	IUF - 9/16-18 UNF-2B (1)						140	-	-	-			
	D7F - M16 x 1,5						-	-	-	-			
	IUH - 9/16-18 UNF-L.H. (3)												

(1) suitable for the following fittings:

- 1/4" F250C Autoclave
- 1/4" HF4 - HiP
- 1/4" Newport AMINCO HP
- 1/4" HP Butech

(2) add 0.95 lbs (0,43 kg) for DS 4" (100) and 1.76 lbs (0,8 kg) for DS 6" (150), when filled

(3) for ranges up to 4000 bar and direct mounting

(4) ch 24 for 5000 and 6000 bar ranges

dimensions : mm

"HOW TO ORDER" SEQUENCE

Section / Model/Case /Mounting/ Diameter / Range / Process connection / Options

1 22 A E D7F C, F
 2 F G IUF C40...S40
 3 IUH S1E...S1M

