

differential pressure gauges PN 100 with single diaphragm DS 6" (150mm)



PED 2014/68/UE ATEX 2014/34/UE

These instruments are designed for measuring differential pressures of gases and liquids which do not have high viscosity and do not crystallize.

2.13 - Standard Model

Accuracy class: 2,5 as per EN 837.

Scale amplitude: 180°.

Static Pressure: max 1500 psi (100 bar).

Ambient temperature: -4...+149°F (-40...+65 °C).

Process fluid temperature: +302°F (-40...+150 °C).

Protection degree: IP 55 as per EN 60529/IEC 529.

Socket material: AISI 316L st.st.

Elastic element: Duratherm diaphragm.

Gasket: VITON and PTFE.

Case: stainless steel

Ring: stainless steel, bayonet lock

Window: tempered glass.

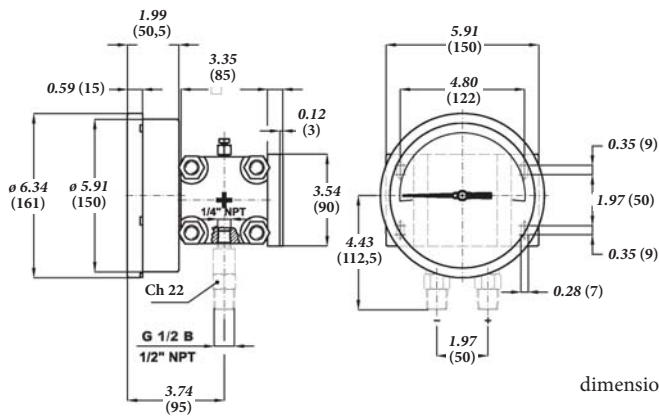
Movement: stainless steel.

Dial: aluminium, white with black markings

Pointer: adjustable, aluminium, black.

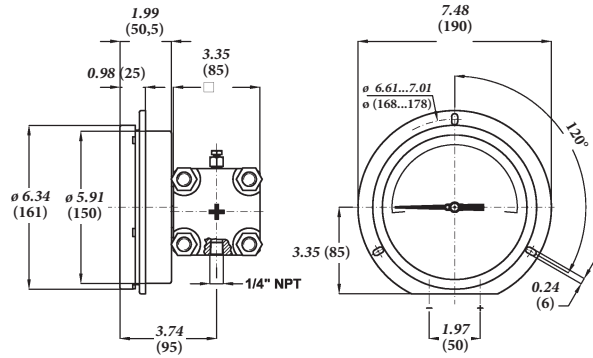
Weight: 12.12 lbs (4,8 kg).

RANGE	mbar	mmH ₂ O	bar	kPa
0...0,4			◆	
0...0,6			◆	
0... 1			◆	
0...1,6			◆	
0...2,5			◆	
0...4			◆	
0...6			◆	
0...10			◆	
0...16			◆	
0...25			◆	
0...40				◆
0...60				◆
0...100				◆
0...160				◆
0...250				◆
0...400	◆			◆
0...600	◆			◆
0...1000	◆			◆
0...1600	◆			
0...2500	◆			
0...4000		◆		
0...6000		◆		
0...10000		◆		



dimensions : inches (mm)

Lower (Mounting code A) , with back flange (Option code C)



Lower (Mounting code A) , with front flange (Option code E)

OPTIONS

C - Back flange	R10 - Case glycerine filling - IP 65/67 - T.a. 0...+65 °C
E - Front flange	R11 - Case filling with silicon oil - IP 65/67 - T.a. -20...+65 °C
C40 - Case and ring AISI 316L st.st.	S31 - 2" pipe mounting bracket
E67 - Protection degree IP65/67	T01 - Tropicalization
L22 - Maximum pointer IP65 on Plexiglas window	T32 - Safety glass window
2G2 - ATEX II 2G Ex h - T.a. -20...+60 °C (1)	ECV - Vented housing version - T.a. -53...+65 °C (6)
2D2 - ATEX II 2G Ex h - T.a. -20...+60 °C (1, 2)	S60 - Silicone oil filling - IP 65/67 - T.a. -60...+65 °C
2D0 - ATEX II 2G Ex h - T.a. 0...+60 °C (1, 3)	
2D5 - ATEX II 2G Ex h - T.a. -53...+60 °C (1, 4)	
2D6 - ATEX II 2G Ex h - T.a. -60...+60 °C (1, 5)	

- (1) For constructive details see ATEX execution catalogue sheet
- (2) to be ordered with R11 option
- (3) to be ordered with R10 option
- (4) to be ordered with ECV + E67 option
- (5) to be ordered with S60 option

- (6) to be ordered with E67 option
- (7) choose model with filled case if corrosive atmospheres are involved

“HOW TO ORDER” SEQUENCE

Section / Model / Case / Mounting / Diameter / Special version / Range / Process connection / Options
2 13 1 A G --- 41M - G 1/2 A M C, E
43M - 1/2" NPT M C40...E65
23F - 1/4" NPT F