

differential pressure gauges PN 200 with double diaphragm DS 4", 6" (100-150mm)



PED 2014/68/UE ATEX 2014/34/UE TP TC 012/2011

These instruments are used to measure differential pressures of gaseous liquids which do not have high viscosity and do not crystallize. They can be combined with a diaphragm seal in case liquids at high temperature, highly viscous and corrosive process fluid or fluids that may crystallize are involved.

2.15.1 - Standard Model

Ranges: from 0...40 IN H₂O to 0...300 psi (from 0...0,1 bar to 0...25 bar, or other equivalent unit).

Accuracy class: 1,6 as per EN 837.

Scale amplitude: 180°...270°C depending on the scale range .

Static pressure: 300...3000 psi (25...200 bar), depending on the scale range.

Ambient temperature: +32...+149°F (0...+65 °C).

Process fluid temperature: +302°F (+150 °C).

Thermal drift: ±0,8% every ±50°F (±10 °C) of ambient temperature

Protection degree: IP 55 as per EN 60529/IEC 529.

Socket material: AISI 316L st.st.

Elastic element: AISI 316L st.st. double diaphragm for pressure ranges < 250 mbar; AISI 316L st.st./Duratherm double diaphragm for pressure ranges ≥ 250 mbar

Gasket: VITON and PTFE.

Case: stainless steel.

Ring: stainless steel, polished, bayonet lock.

Window: tempered glass (with external zero adjustment on request).

Movement: stainless steel.

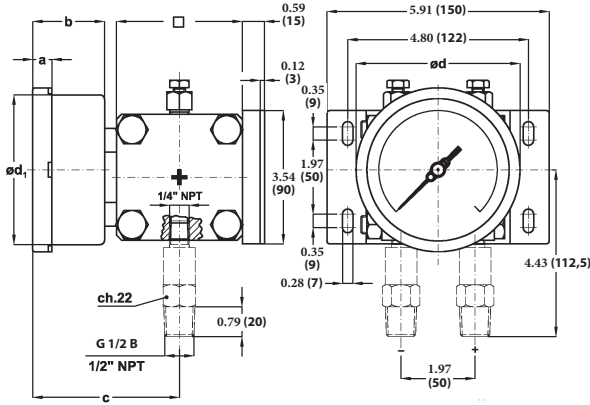
Dial: aluminium, white with black markings

Pointer: adjustable, aluminium, black

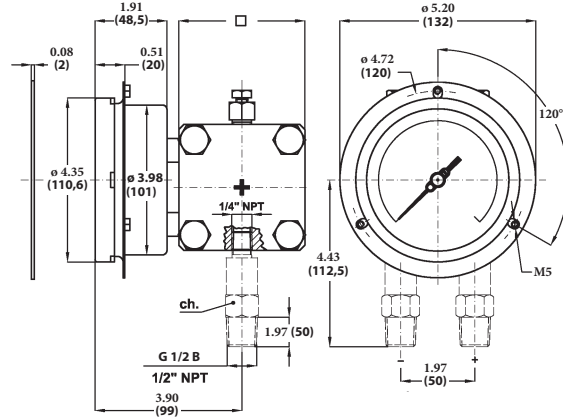
RANGE	Static pressure, one side : psi (bar)	Static pressure, both side : psi (bar)	Scale amplitude DS 4" (100mm)	Scale amplitude DS 6" (150mm)
(0...0,1 bar)	360 (25)	1500 (100)	180°	180°
(0...0,16 bar)	360 (25)	1500 (100)	180°	180°
0...4 psi (0...0,25 bar)	1500 (100)	3000 (200)	270°	180°
0...6 psi (0...0,4 bar)	1500 (100)	3000 (200)	270°	180°
0...10 psi (0...0,6 bar)	1500 (100)	3000 (200)	270°	270°
0...15 psi (0...1 bar)	1500 (100)	3000 (200)	270°	270°
(0...1,6 bar)	1500 (100)	3000 (200)	270°	270°
0...30 psi (0...2,5 bar)	1500 (100)	3000 (200)	270°	270°
0...60 psi (0...4 bar)	1500 (100)	3000 (200)	270°	270°
0...100 psi (0...6 bar)	1500 (100)	3000 (200)	270°	270°
0...160 psi (0...10 bar)	1500 (100)	3000 (200)	270°	270°
0...250 psi (0...16 bar)	1500 (100)	3000 (200)	270°	270°
0...300 psi (0...25 bar)	1500 (100)	3000 (200)	270°	270°

differential pressure gauges PN 200
with double diaphragm, DS 4", 6" (100-150mm)

MD15



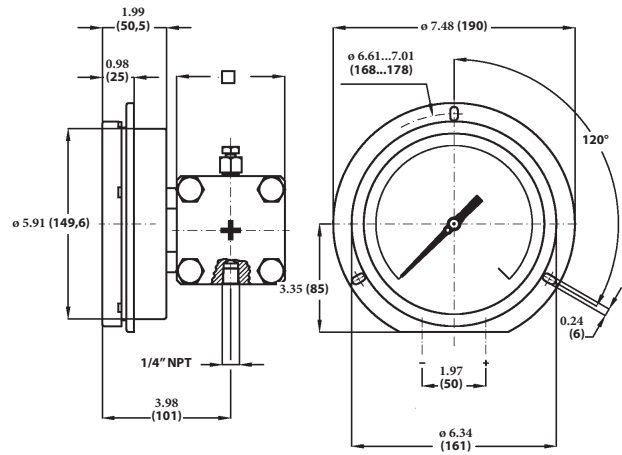
Lower (Mounting code A), with back flange
(Option code C): DS 4", 6" (100-150mm)



Lower (Mounting code A), with front flange (Option code F): DS 4" (100mm)

DS	a	b	d	d ₁	□		Weight : lbs (kg)
					≤ 0,16 bar	> 0,16 bar	
E 4" (100)	0.51" (13)	1.90" (48,5)	4.35" (110,5)	3.97" (101)	3.93" (100)	3.34" (85)	10.36" (4,7)
G 6" (150)	0.59" (15)	1.96" (50,5)	6.33" (161)	5.88" (149,5)	3.93" (100)	3.34" (85)	11.24" (5,1)

dimensions : inches (mm)



Lower (Mounting code A), with front flange (Option code E): DS 6" (150mm)

OPTIONS

C - Back flange for DN100-150 instruments	D10 - Elastic element and connection in MONEL 400 (2)
E - Front flange for DN150 instruments	M23 - Protection diaphragm in Monel 400 (2)
Electric contacts for DN 150 (amplitude 180°) (1)	T01 - Tropicalization
E30 - NACE version MR0103/MR0175 (ISO15156) (3)	T32 - Safety glass window
R10 - Case filling using glycerine - IP 65/67 - T.a. 0...+65 °C (6)	C40 - Case and ring in AISI 316L st.st.
R11 - Case filling using silicon oil - IP 65/67 - T.a. 0...+65 °C (4, 6)	2G0 - ATEX Ex II 2G h - T.a. 0...+60 °C (5, 6)
S31 - 2" pipe mounting bracket	2D0 - ATEX Ex II 2GD h - T.a. 0...+60 °C (5, 6)
E67 - Protection degree IP 65/67	

- (1) For features and connections see catalogue sheet model MN14
 (2) Accuracy 2,5 as per EN837, for ranges < 160 IN H₂O (400 mbar)
 (3) To be ordered with Monel 400 or Hastelloy C diaphragms

- (4) Viton window gasket and blow out vent
 (5) See ATEX execution catalogue sheet
 (6) Electric contacts not available

"HOW TO ORDER" SEQUENCE

Section / Model / Case / Mounting / Diameter / Special version / Range / Process connection / Options
2 15 1 A E --- 41M - G 1/2 A M C...E
G D10 43M - 1/2" NPT M E30...2D0
43F - G 1/2 F

