

## differential pressure gauges PN 400 with double diaphragm DS 4", 6" (100-150mm)



PED 2014/68/UE ATEX 2014/34/UE

These instruments are used to check filter obstructions, pressure drops, flow rate differences, level, measurements and generally the difference between two pressures of equal of different circuits. The measuring element is formed by two diaphragms, acting on the same movement. In this way the pointer senses only the difference between the two pressures corresponding respectively to upstream and downstream circuit pressure.

### 2.17.1 - Standard Model

**Accuracy class:** 1,6 as per EN 837.

**Scale amplitude:** 270°.

**Static Pressure:** 6000 *psi max* (400 bar).

**Ambient temperature:** -40...+149°F (-40...+65 °C).

**Process fluid temperature:** +302°F (+150 °C).

**Thermal drift:** ± 0,8 % every ±50°F (± 10° C) of ambient temperature

**Protection degree:** IP 55 as per EN 60529/IEC 529.

**Socket material:** AISI 316L st.st.

**Elastic element:** double diaphragm AISI 316L st.st./Duratherm.

**Gasket:** VITON and PTFE.

**Case:** stainless steel.

**Ring:** stainless steel, bayonet lock.

**Window:** tempered glass.

**Movement:** stainless steel.

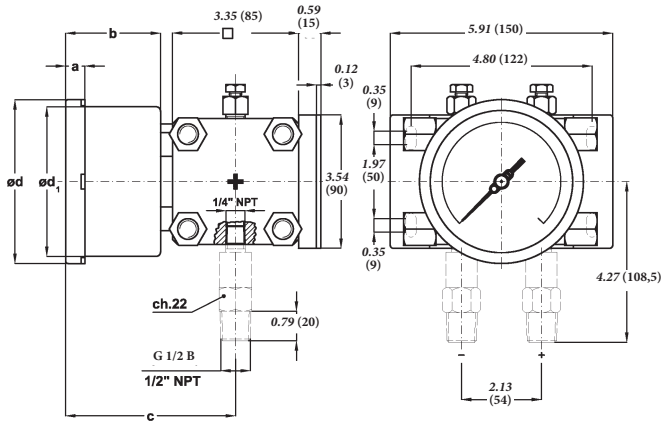
**Dial:** aluminium, white with black markings

RANGE	Static pressure, one side : <i>psi (bar)</i>	Static pressure, both side : <i>psi (bar)</i>
(0...0,4 bar)	3500 (250)	6000 (400)
0...10 <i>psi</i> (0...0,6 bar)	3500 (250)	6000 (400)
0...15 <i>psi</i> (0...1 bar)	3500 (250)	6000 (400)
(0...1,6 bar)	3500 (250)	6000 (400)
0...30 <i>psi</i> (0...2,5 bar)	3500 (250)	6000 (400)
0...60 <i>psi</i> (0...4 bar)	3500 (250)	6000 (400)
0...100 <i>psi</i> (0...6 bar)	3500 (250)	6000 (400)
0...160 <i>psi</i> (0...10 bar)	3500 (250)	6000 (400)

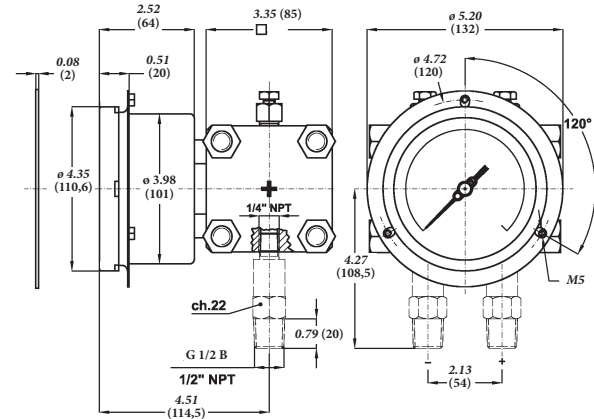
# differential pressure gauges PN 400

## double diaphragm, DS 4", 6" (100-150mm)

# MD17



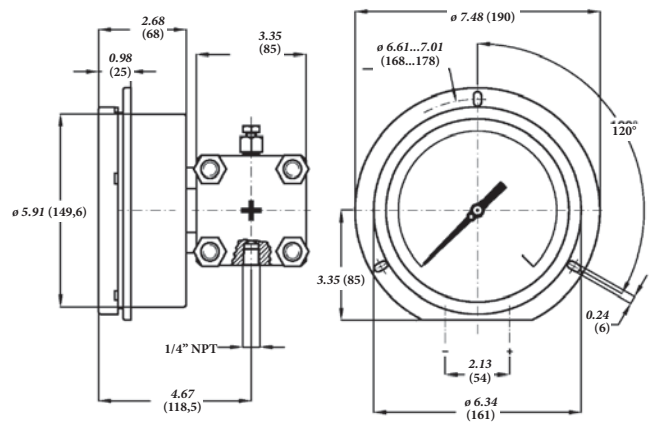
Lower (Mounting code **A**), with back flange  
(Option code **C**): DS 4", 6" (100-150mm)



Lower (Mounting code **A**), with front flange (Option code **F**): DS 4" (100mm)

DS	a	b	c	d	d <sub>1</sub>	Weight : lbs (kg)
<b>E</b> 4" (100)	0.51" (13)	2.52" (64)	4.51" (114,5)	4.35" (110,6)	3.97" (101)	11.9" (5,4)
<b>G</b> 6" (150)	0.59" (15)	2.68" (68)	4.67" (118,5)	6.33" (161)	5.88" (149,6)	12.78" (5,8)

dimensions : inches (mm)



Lower (Mounting code **A**), with front flange (Option code **E**): DS 6" (150mm)

## OPTIONS

<b>C</b> - Back flange for DN100-150 instruments	<b>L22</b> - Maximum pointer IP 65 on plexiglas window (3) (6)
<b>F</b> - Front flange for DN100 instruments	<b>M23</b> -Protection diaphragm MONEL 400 (4)
<b>E</b> - Front flange for DN150 instruments	<b>R10</b> - Case glycerine filling. Ambient temp. +32...+149°F (0...+65 °C). (6)
Electric contacts (amplitude 180°) (1)	<b>R11</b> - Case filling with silicon oil. Ambient temp. -40...+149°F (-40...+65 °C). (6)
<b>C40</b> - Case and ring AISI 316L st.st.	<b>S31</b> - 2"pipe mounting bracket
<b>E30</b> - NACE version MR0103/MR0175 (ISO 15156) (2)	<b>T32</b> - Safety glass window (6)
<b>E65</b> - Protection degree IP 65 (6)	<b>2D9</b> - Execution: ATEX : II 2GD c
<b>2G9</b> - Execution: ATEX : II 2G c (5) (6)	

- (1) Codes, descriptions and wiring on data-sheet MN14  
 (2) To be ordered with Monel 400 or Hastelloy C diaphragms  
 (3) To be ordered with plexiglas window  
 (4) Accuracy 2,5 secondo EN 837

- (5) For constructive details see ATEX execution data-sheet  
 (6) Not available with electric contacts

## "HOW TO ORDER" SEQUENCE

Section / Model / Case / Mounting / Diameter / Special version /Range / Process connection / Options  
**2 17 1 A E --- 41M - G 1/2 A M C...E**  
**G 43M - 1/2" NPT M C40...2D9**  
**43F - 1/2" NPT F**