



Pony Testing International Group

报告编号(Report ID): MOIJPMOT26731746

中国认可
国际互认
检测
TESTING
CNAS L3192

1.2 米跌落测试报告

1.2m Drop Test Report

Sample Description
& Model

Li-ion Battery Pack 186502P4S

Applicant

A.M.R.A.SpA

Manufacturer

Huizhou Meinovo Electronic Co., Ltd

P O N Y 谱尼测试
Pony Testing International Group

www.ponytest.com



No.: MOIJPMOT26731746
Code: ekshy2



声明 Statement

1. 本报告仅对委托方所送样品负责。
The report is responsible for the provided sample only.
2. 本报告页面所使用“PONY”、“谱尼”字样为本单位的注册商标，其受《中华人民共和国商标法》保护，任何未经本单位授权的擅自使用和仿冒、伪造、变造“PONY”、“谱尼”商标均为违法行为，本单位将依法追究其法律责任。
The pattern and characters of "PONY" and "谱尼" used in this report are protected by the trademark law of the People's Republic of China. Any unauthorized usage, counterfeit, forgery and alteration of trademarks of "PONY" and "谱尼" are the violations of the law. The PONY has the right to pursue all legal liabilities of the subject of the delict.
3. 委托方必须如实提供样品及资料，并保证申报品名和样品以及运输货物相同，否则本单位不承担任何相关责任。
The applicant shall provide accurately and truly the sample and the description of the sample, shall guarantee the declared sample's name to match with the sample and transport of goods. Otherwise PONY will not bear any relevant responsibility.
4. 本报告经审核人、批准人签字并加盖印章后生效。
This report shall become effective as soon as it reviewed by the checker and signed by the approver and stamped.
5. 委托方对报告数据如有异议，请于报告完成之日起十五日内向本单位书面提出复测申请，同时附上报告原件并预付复测费。
If the applicant has any objection about the results of the report, shall provide a written re-test application and simultaneously attach the original report and pay the retest fees in advance within fifteen days since the approval date of the report.
6. 不可重复性或不能进行复测的实验，不进行复测，委托方放弃异议权利。
Tests that can not be repeated and tested shall not be perform the retest, the applicant shall abandon the right of any objection.
7. 本报告私自转让、盗用、冒用、涂改、未经本单位批准的复制（全文复制除外）或以其它任何形式的篡改均属无效，本单位将对上述行为追究其相应的法律责任。
The report is invalid in case of illegal transfer, embezzlement, imposture, modification or any altering, reproducing except in full, without approval of PONY. PONY shall investigate and affix the applicant's legal liability accordingly.
8. 本报告不考虑国家及经营人差异。
The certificate/report takes no account of the differences of countries and applicants.
9. 本报告中的运输方式应与货物的运输方式相一致，不同的运输方式，结果可能会有差异。
The transport means of goods should be as the same as that declared in the report, as in case of different transport means of goods the results may be different.

▲ 防伪说明:

- (1) 报告编号是唯一的;
 - (2) 报告采用特制防伪纸张印制，纸张表面带有“PONY”防伪纹路，该防伪纹路不支持复印，即复制件不会带有“PONY”防伪纹路;
 - (3) 报告采用的防伪纸张内部亦加带有高科技“PONY”防伪水印，只有在验钞机等紫外线照射下方可显出无色荧光防伪字样;
 - (4) 报告所盖防伪骑缝章中的一部分加盖于本单位的留底报告上，报告与本单位留底报告的骑缝章应拼合完整无缺。
- *****

 **全国服务热线**
400-819-5688
WWW.PONYTEST.COM

扫描二维码
关注谱尼测试微信
公众号 PONY4008195688



北京实验室: (010) 83055000	武汉实验室: (027) 83997127	哈尔滨实验室: (0451) 58627755	温州实验室: (0577) 88271060
上海实验室: (021) 64851999	长春实验室: (0431) 85150908	石家庄实验室: (0311) 85376660	合肥实验室: (0551) 63843474
青岛实验室: (0532) 88706866	大连实验室: (0411) 87336618	乌鲁木齐实验室: (0991) 6684186	广州实验室: (020) 89224310
深圳实验室: (0755) 26050909	郑州实验室: (0371) 69350670	呼和浩特实验室: (0471) 3450025	厦门实验室: (0592) 5568048
天津实验室: (022) 23607888	西安实验室: (029) 89608785	杭州实验室: (0571) 85806807	成都实验室: (028) 87702708
苏州实验室: (0512) 62997900	太原实验室: (0351) 7555762	宁波实验室: (0574) 87977185	



I、SAMPLE DESCRIPTION

Sample Description	Li-ion Battery Pack	Sample Model	186502P4S
Applicant	A.M.R.A.SpA		
Manufacturer	Huizhou Meinovo Electronic Co., Ltd		
Nominal Voltage	14.8V	Rated Capacity	4.4Ah
Outer package	Corrugated box	Inner package	Paper box
Dimensions	265×210×155mm	Cushion	Plastic bag
Gross weight	10.10kg	Battery number	24Pcs/packing
Entrust date	2020-09-03	Finished date	2020-09-07
Packaging type	Package including lithium batteries.		

II、TEST METHOD

UNITED NATIONS “Recommendations on the TRANSPORT OF DANGEROUS GOODS”
 Model Regulations (ST/SG/AC.10/1/Rev.21), Chapter 3.3 special provisions 188.

III、TEST ITEM

1.2m Drop test

Gross Weight Measure

IV、CONCLUSION

This package is capable of withstanding a 1.2m drop test in any orientation without damage to cells or batteries contained therein, without shifting of the contents so as to allow battery to battery contact and without release of contents. The weight of the package is 10.10kg gross mass.

Appraiser: *Lin Yan*

Checker: *Liu Xu*

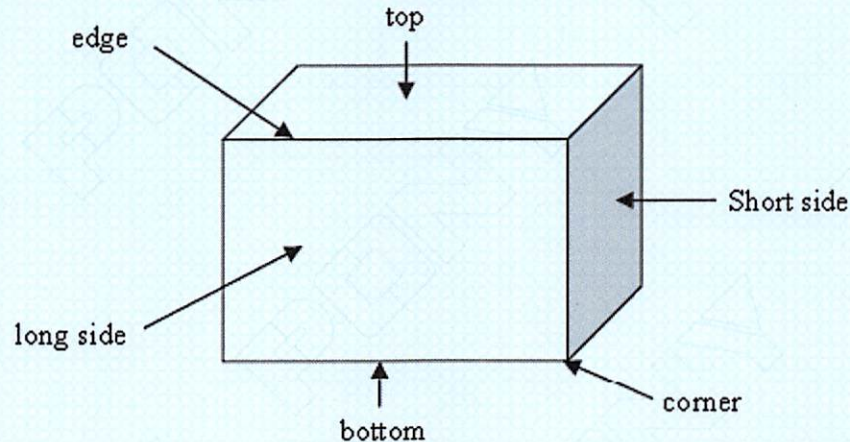
Approver: *Lin*

Issue Date: 2020-09-07



V、STANDARD REQUIREMENT

UNITED NATIONS “Recommendations on the TRANSPORT OF DANGEROUS GOODS”
 Model Regulations (ST/SG/AC.10/1/Rev.21), Chapter 3.3 special provisions 188.



VI、TEST APPARATUS

IE-0693 Drop test machine

IE-0178 CNS·TC series electronic counting scales

IE-0766 Steel tapeline

VII、TEST ENVIRONMENT CONDITION

Ambient temperature: (20~25)°C

Ambient humidity: (50%~60%)RH

VIII、TEST DATA

1.2m Drop test	Side	Edge	Angle
Test Result	a. Without damage to cells or batteries contained therein; b. Without shifting of the contents so as to allow battery to battery (or cell to cell) contact; c. Without release of contents.		
Conclusion	The test package is capable of withstanding a 1.2m drop test in any orientation.		

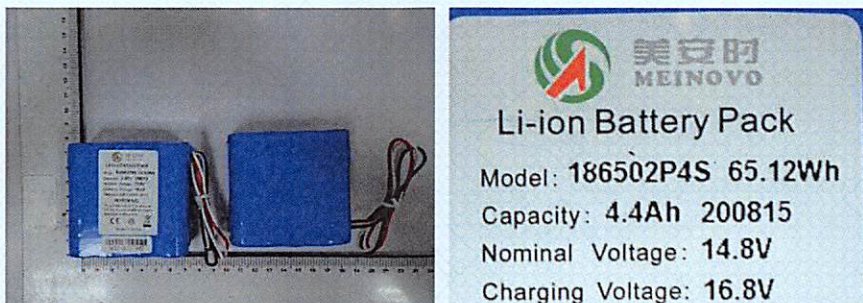
Test Item	Gross Weight Measure
Test Result	10.10kg
Conclusion	Passed



IX、PHOTO OF THE SAMPLE

Battery

Sample No.: T26731746



Package



Authenticate the photo on original report only

*** End of report ***